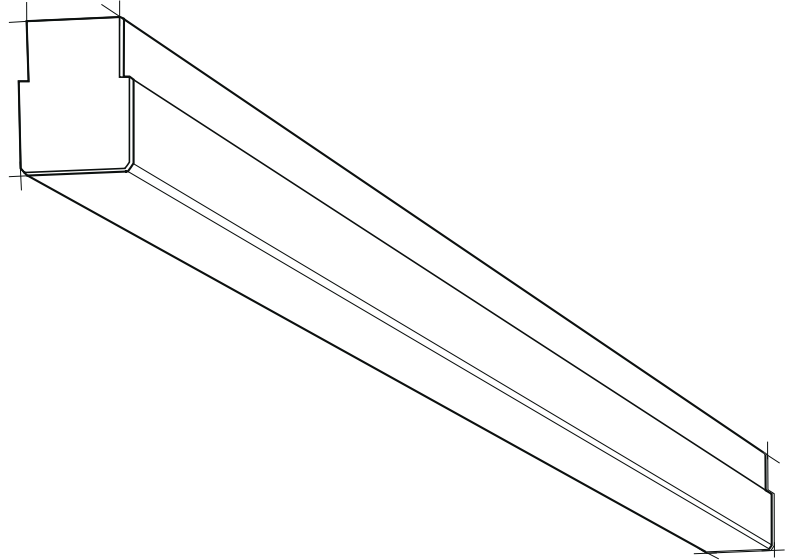
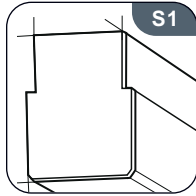
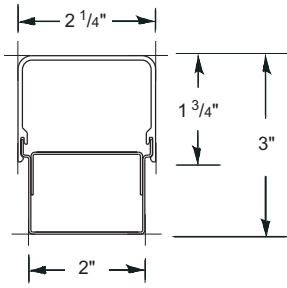


Quick Ship **Snap**



**ordering**

series	lamp rows	nominal length	color/finish	voltage	mounting
<b>S1</b>				<b>UNV</b>	<b>SUR</b>
S1 square	1T8	02'	YGW gloss white	UNV†	SUR surface or wall mount
	1T5	03'	TMW textured matte white	†120-277	
	2T5	04'			
	1T5HO	08*			

\*fixtures have two lenses

**Quick Ship** Fixtures with the ordering configurations listed above are stock items, and ship within 48 hours of order placement. For quantities greater than 25 pieces of 4-foot fixtures, or 10 pieces of 2-, 3- or 8-foot fixtures, please consult factory.

**Features** Low-profile wrap strip light with extruded white acrylic lens that holds securely with no hardware or fasteners.

**Construction** The construction is die-formed 20-gauge steel with spring-fastened aluminum endplates. Eight foot fixtures have two diffusers with an intermediate plate at the midpoint of the housing.

**Finish** The exterior body color is gloss white (YGW) or textured matte white (TMW) using polyester powder paint

**Electrical** T8 fixtures have universal voltage (120-277) instant-start electronic ballasts with less than 20% THD. T5 and T5HO fixtures have universal voltage programmed start electronic ballasts with less than 10% THD. Fixtures are U.L. Damp labeled and I.B.E.W. manufactured

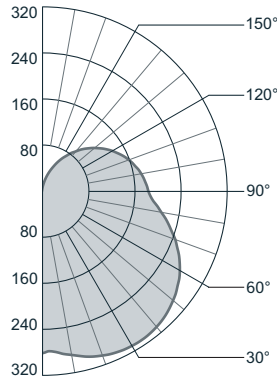
**Mounting** Fixture is to be surface-mounted.

**Options** Options available on made-to-order fixtures only.

## photometric data

### S1-1T8-04-YGW-120

Report # LSI15305 D=74.1% I=25.9%  
Spacing Criteria: Along 1.3; Across 1.7  
Lamp Lumens: 2950 Input Watts: 30



### Candlepower Summary

Vertical Angle	Horizontal Angle					Output Lumens
	0°	22.5°	45°	67.5°	90°	
0	282	282	282	282	282	
5	283	283	280	284	281	27
15	274	277	286	296	298	81
25	255	267	289	305	309	132
35	228	251	282	304	312	173
45	193	225	267	295	305	200
55	151	193	243	276	288	208
65	104	154	211	249	263	197
75	53	112	173	215	228	169
85	8	72	136	181	194	135
90	0	60	125	169	185	
95	0	56	120	165	180	117
105	0	50	111	153	167	105
115	0	42	98	136	150	87
125	0	34	83	117	128	66
135	0	25	65	93	103	45
145	0	15	46	66	75	26
155	0	7	26	41	46	12
165	0	1	9	16	19	3
175	0	0	0	0	0	0
180	0	0	0	0	0	0

### Zonal Lumen Summary

Zone	% Lamp	% Luminaire
0-90	44.82	74.10
90-180	15.67	25.90

Efficiency = 60.5%

### Luminance Summary (cd/m<sup>2</sup>)

Angle	0°	45°	90°
45	4758	4498	4532
55	4586	4441	4507
65	4290	4358	4488
75	3557	4235	4440
85	1529	4292	4530

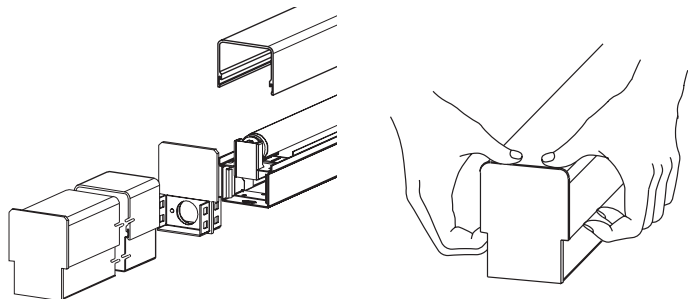
### Coefficients of Utilization (%)

effective floor cavity reflectance = 20

Floor	Ceiling					Wall					
	80	70	50	30	10	80	70	50	30	10	
RCR 0	68	68	68	68	65	65	65	65	59	59	59
1	61	57	54	51	57	54	52	49	49	47	45
2	54	49	44	40	51	46	42	39	42	38	35
3	49	42	37	33	46	40	36	32	36	32	29
4	45	37	32	27	42	35	30	26	32	28	24
5	41	32	27	23	38	31	26	22	28	23	20
6	37	29	23	19	35	27	22	19	25	20	17
7	34	26	20	17	32	25	20	16	22	18	15
8	32	23	18	14	30	22	17	14	20	16	13
9	29	21	16	12	27	20	15	12	18	14	11
10	27	19	14	11	26	18	13	10	16	12	09

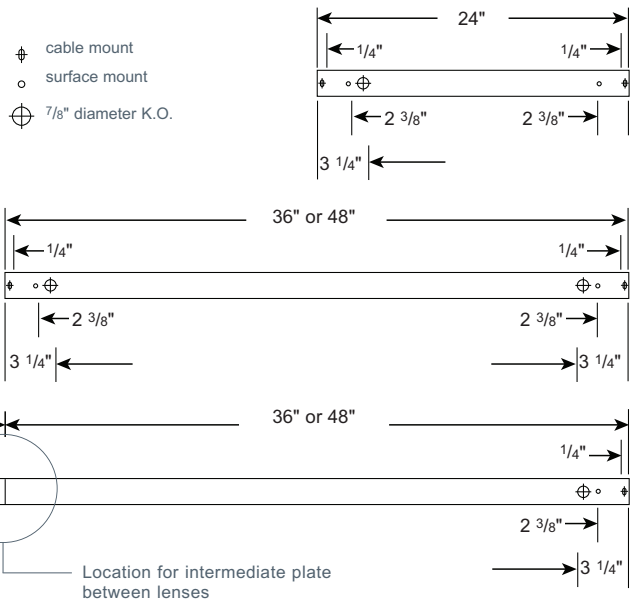
## installation

### Adjoining Detail



When surface or wall mounting, allow space around fixture to access lamp

### Mounting Locations



In an effort to continually provide the highest quality products, Prudential reserves the right to change design specifications and/or materials, without notice.